

Technical specifications: **TM21**



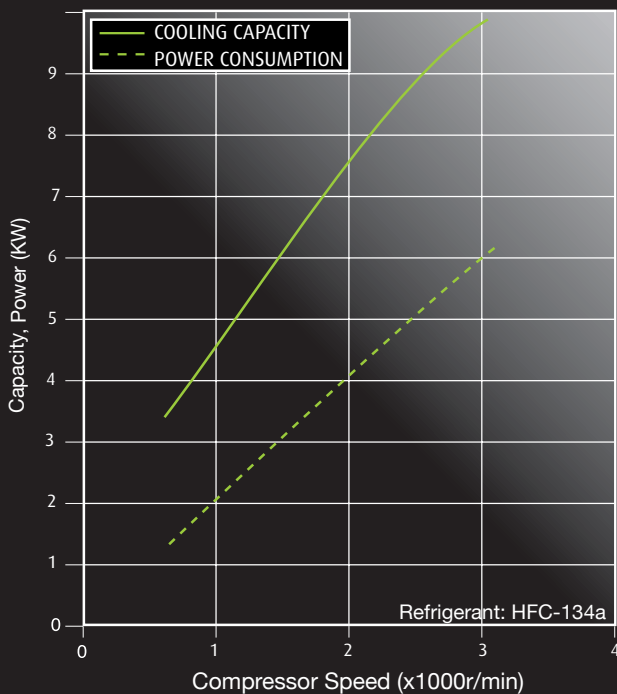
Heavy duty compressor
 -High durability
 -Smooth operation & high efficiency
 -Compact packaging & light weight



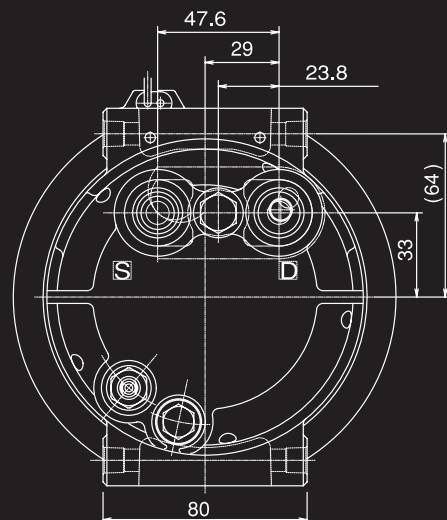
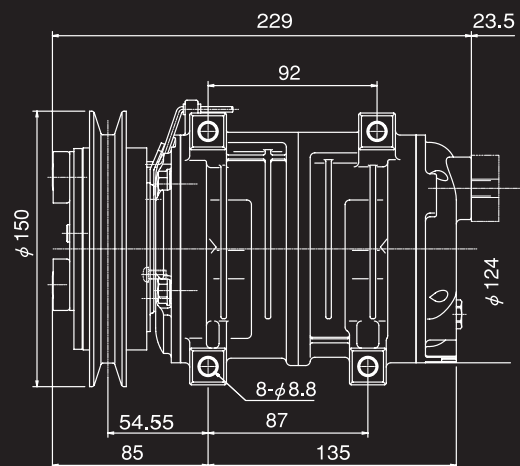
www.valeocompressors.com

MODEL	TM21
DISPLACEMENT	215cm ³ /rev.
NUMBER OF CYLINDERS	10
RANGE	700-6000
REFRIGERANT	HFC-134a
OIL	ZXL 100PG 180cm ³
WEIGHT	8.1Kg (with clutch)
MOUNT	Direct

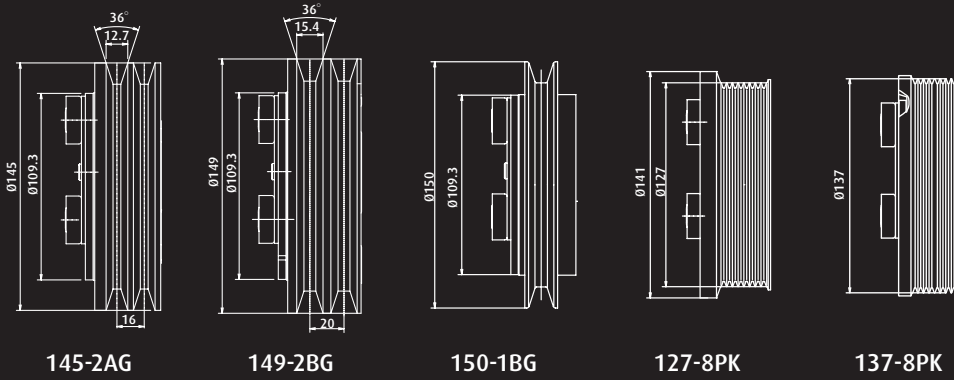
PERFORMANCE CURVES: TM21HD



TEST CONDITIONS
 Discharge pressure: 1.52MPa (gage)
 Suction pressure : 0.18MPa (gage)
 Sub cool :5°C Super heat : 10°C

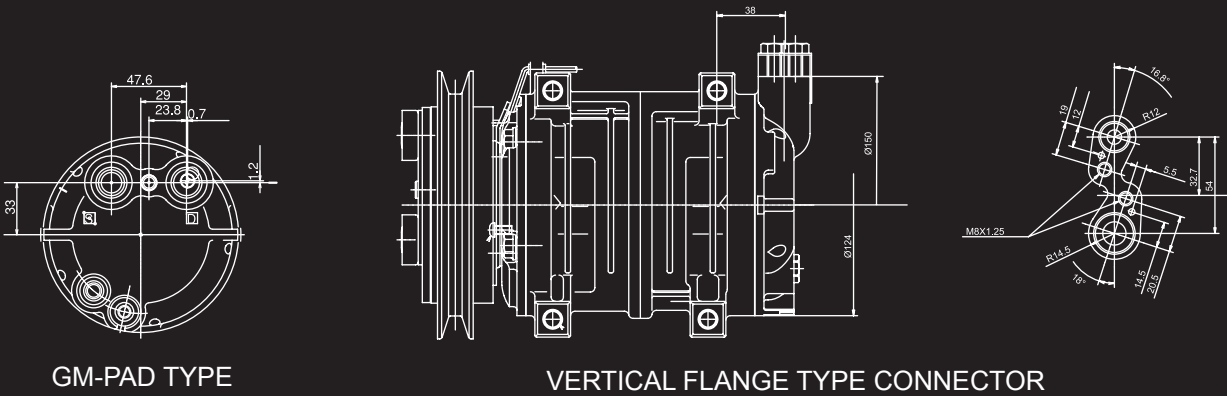


MAGNETIC CLUTCH VARIATIONS



Also available : 6, 10 and 12 groove magnetic clutches

CYLINDER HEAD VARIATIONS



MOUNTING

DIRECT

